



AV-240 Series: 24-Hour Flashing Beacon

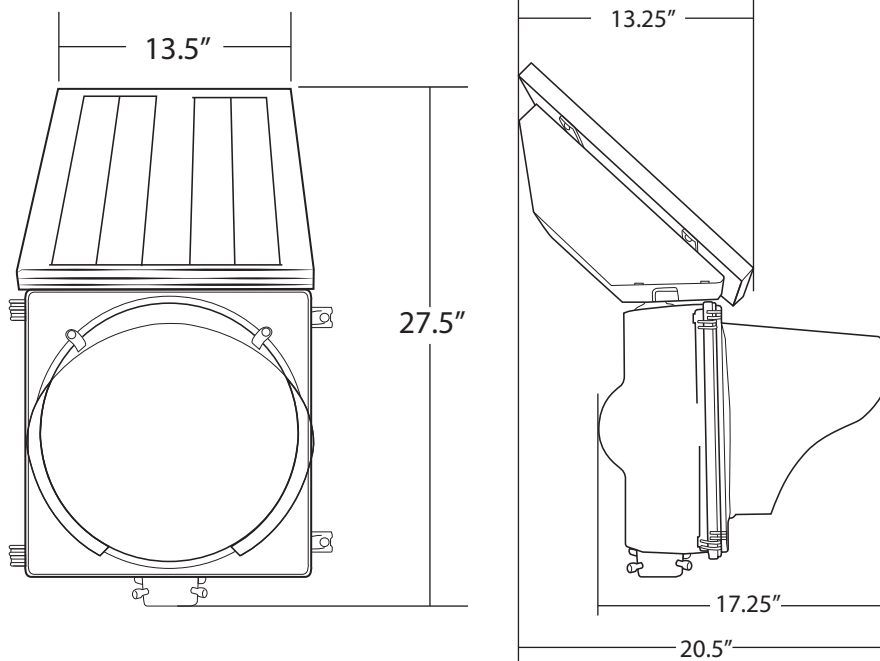
The AV-240 is a compact solar powered flashing beacon that improves compliance to Regulatory and Warning signs.

A 20W monocrystalline solar panel combined with ultra-efficient, purpose-built controller with maximum power point tracking delivers year-round, year-after-year operation. Integrated solar engine houses controller, battery, and solar panel. The compact, self-contained design allows for rapid installation on new or existing round, square, U-channel, or wood sign posts.



Applications

- Stop Sign
- Stop Ahead Sign
- Signal Ahead Sign
- Curve Ahead Sign
- Intersection Sign
- Pedestrian Sign
- Speed Limit Sign



Technical Specifications

Beacon:

- MUTCD Compliant flash pattern
- 24 Hour operation or optional radar activation
- 12" Yellow or Red ITE VTCSH-STD 2005 LED module
- ITE compliant Yellow or Black UV stabilized polycarbonate signal housing
- Tunnel or cap visor

Enclosure:

- 5052 Aluminum pole top mounted solar engine enclosure houses solar panel, controller, and battery
- Vented battery compartment with sealed electronic sub-enclosure and pre-wired IP67 sealed wire harness connector
- Side access to battery with captive fasteners and quick disconnect terminals
- 8.5" W x 14.8" L x 4.7" D enclosure with 13.6" W x 18.5" L x 1" D solar panel
- Weight (including solar engine, beacon, mount, and battery): 27.2 lbs (12.3kg)

Mounting Options:

- 2" square and 2 3/8" round
- U-Channel and wood post
- 4 1/2" round
- Side of pole mount

Environmental:

- NEMA TS 2, Sections 2.2.7, 2.2.8, and 2.2.9 Compliant
- RoHS Compliant
- Operating Temperature: -40°F to +165°F (-40°C to +74°C)

Solar/Battery System:

- Ultra-low power microprocessor with temperature compensating maximum power point tracking
- Variable intensity adjustable to ambient light
- 20W high efficiency monocrystalline solar panel
- 45° solar panel tilt angle
- 144 Wh (watt-hour) battery capacity (12V, 12Ah SLA)
- Up to 30 days autonomy

Our mission at Aailed is to produce solar LED traffic devices that are exceptionally reliable and effective

*Specifications subject to change without notice.